



NEW PRODUCT BULLETIN # 353

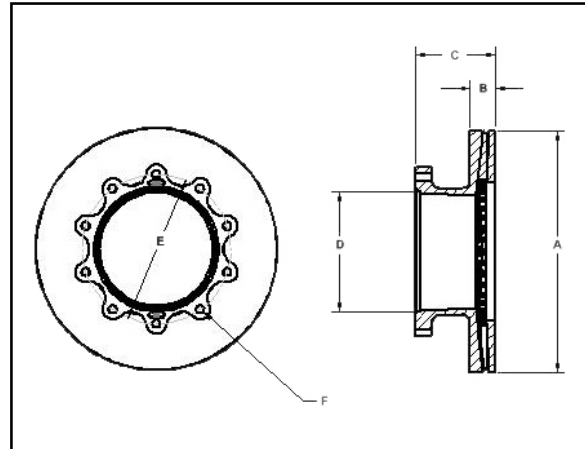
55060P

ROTOR PART NUMBER: 55060P

DESCRIPTION: Disc Brake Rotor

SIZE: 17.07 x 1.77

ESTIMATED WEIGHT: 80 lbs.



Rotor Type **U**

WEBB ROTOR	WEIGHT	ROTOR TYPE	A	B	C	D	E	F	
			DISC DIAMETER	DISK THICKNESS	OVERALL DEPTH	PILOT DIAMETER	BOLT CIRCLE DIAMETER	BOLT HOLES	
								NUMBER	SIZE
55060P	80	U	17.07	1.77	5.65	8.50	10.50	10	.62

(P) indicates packaged rotor. Webb rotors are packaged for protection.

INTERCHANGE INFORMATION

MANUFACTURER

ArvinMeritor

PART NUMBER

23-123642-002