



NEW PRODUCT BULLETIN # 352

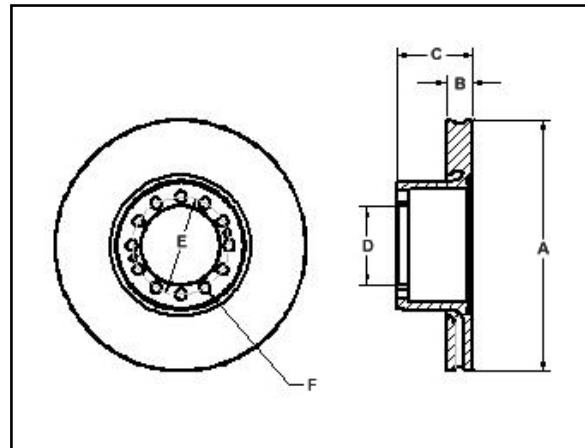
54220P

ROTOR PART NUMBER: 54220P

DESCRIPTION: Disc Brake Rotor

SIZE: 17.08 x 1.77

ESTIMATED WEIGHT: 80 lbs.



Rotor Type **HAT**

WEBB ROTOR	WEIGHT	ROTOR TYPE	A	B	C	D	E	F	
			DISC DIAMETER	DISK THICKNESS	OVERALL DEPTH	PILOT DIAMETER	BOLT CIRCLE DIAMETER	BOLT HOLES	
								NUMBER	SIZE
54220P	80	HAT	17.08	1.77	5.16	5.32	6.61	12	.75

(P) indicates packaged rotor. Webb rotors are packaged for protection.

INTERCHANGE INFORMATION

MANUFACTURER

ArvinMeritor

PART NUMBER

68326014