

No. 317

Date 01/07/03

Another addition to the expanding line of Webb products.

NEW PRODUCT BULLETIN

Part Number: **2529 HUB**

DESCRIPTION:

10 Stud Hub - 11.25" (285.75mm) Bolt Circle
 Uses Outboard Drum - (M22 x 1.5) Serrated Stud

AVAILABLE
NOW

WEBB AXLE GROUP 11

OUTER BEARING CUP 3720 ←
 CONE 3782 ← Cup Code 1
 INNER BEARING CUP HM212011 ←
 CONE HM212047 or
 HM212049

APPLICATION INFORMATION
Truck Steering Axles

WEIGHT:
 43 lbs. Hub Only
 53 lbs. Hub, Cups and Studs

Hub Dynamic Capacity: 7300 lbs.

Drawing Reference	Item	Dimension
B	Overall Length	7.33
C	Outer Hub Cap Face to Inner Cup Seat	5.50
D	Distance Between Cups	3.38
E	Inner Cup to Mounting Face	
	Drum with (0.25 Back Plate Thickness)	5.31
	Drum with (0.50 Back Plate Thickness)	5.56
	Drum with (0.62 Back Plate Thickness)	5.68
F	Bolt Circle Diameter	11.25" (285.75mm)
G	Wheel Stud Qty./Thread Diameter	(10) M22x1.5
H	Hub Cap Hole Pattern	6 Holes 0.31 Dia. 5.50 Dia. Bolt Circle

WEBB AXLE GROUP 11

ArvinMeritor.....FF-931, FF-941, FF-942, FF-943, FF-944, FF-961, FG-931, FG-900, FG-941, FG-942, FG-943, MFS-13, MFS-14
Dana Spicer (Eaton)EFA-12F3, EFA-12F4, EFA-13F4, I-100, I-120, I-140, W15
Westport.....F0W-1300,F3W-1200/1300, F3W-1400, F5W-1200, F6W-1200/1300, F6W-1400, F6W-1400WT

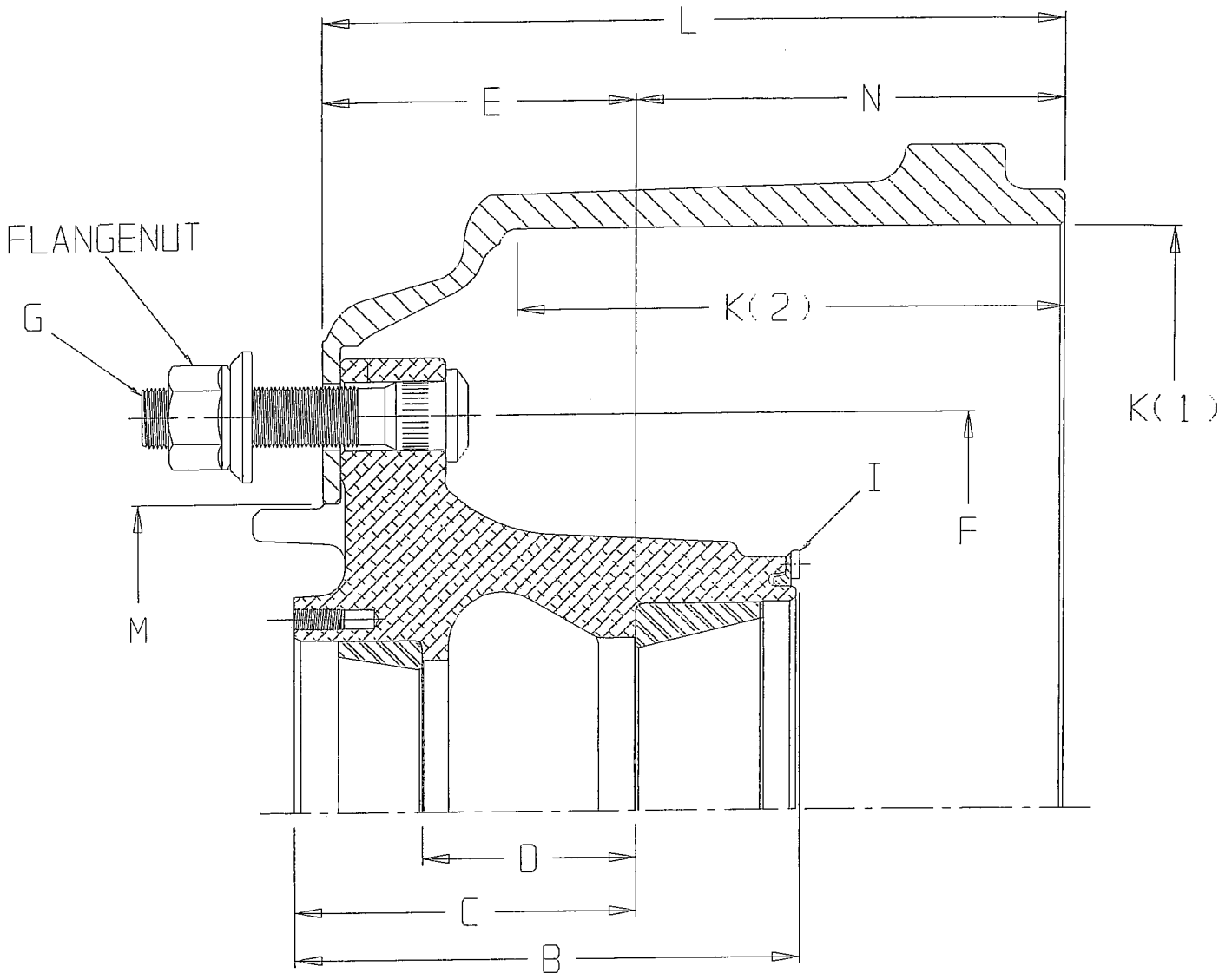
I. ABS RING

Part Number: 51053
Pitch Diameter: 6.46
Cup Seat to Face Dimension: 1.53

BRAKE DRUM INFORMATION

J		Estimated Drum Weight	Special Information	K		L	M	N
Order Code	Balanced			Brake Size		Drum Overall Depth	Drum Pilot Dia.	Cup to End of Drum
Part No.			(1) Dia.	(2) Width				
65145B	KK	110	15.00	6.00	9.49	8.78	3.81	

WEBB WHEEL PRODUCTS, INC.
 2310 Industrial Drive, S.W.
 Cullman, Alabama 35055
 (256) 739-6660 FAX (256) 739-6246



ASSEMBLY DRAWING

List of Components			
Item	Part No.	Description	Qty.
1	2529T	Hub, 10 Stud, Outboard	1
3	3720,	Outer Bearing Cup	1
2	HM212011	Inner Bearing Cup	1
4	101164	Serrated Stud M22 x 4.32	10
5	179935	Flangenut M22 x 1.5	10
6	65145B	Brake Drum 15.00 x 6.00	1
7	51053	ABS Ring	1