

# NEW PRODUCT BULLETIN

## HUB SPECIFICATIONS

Part No. **2520**

**DESCRIPTION:** 10 Stud Hub w/11.25 (285.75MM) Dia. Bolt Circle  
Uses Outboard Drum - Serrated Stud

## TRUCK STEERING AXLE APPLICATIONS WEBB AXLE GROUP 11

### Bearing Information (Webb Axle Group # 11)

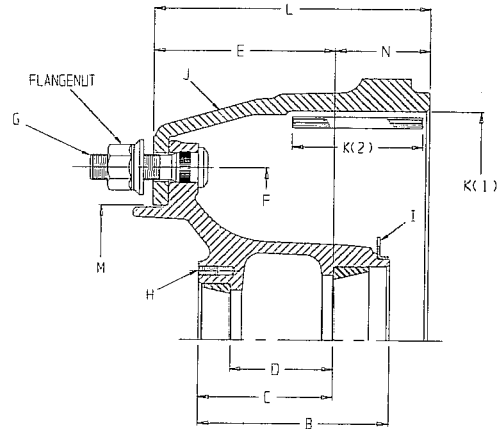
Outer Bearing Cup 3720  
Cone 3782  
Inner Bearing Cup HM212011  
Cone HM212047 or HM212049 or HM212049X  
Cup Code 1

Dana Spicer.....1-100,1-120,1-140,W15  
Rockwell.....FF-931, FF-941, FF-942, FF-943, FF-944  
.....FF-961, FG-931, FG-900, FG-941, FG-943  
Westport....F3W-1200, F3W-1400, F6W-1200, F6W-1400

### Specification Information

Hub Dynamic Capacity: 7,300 lbs

Drawing Reference	Item	Dimension
B	Overall Length	6.26
C	Outer Hub Cap Face to Inner Brg. Cup Seat	4.43
D	Distance Between Cups	3.38
E	Inner Cup to Mounting Face	
	Cast Drum ( 0.50 Back Plate Thickness)	5.94
	Cast Drum ( 0.62 Back Plate Thickness)	6.06
	Centrifuse Drum	5.69
F	Bolt Circle Diameter	11.25 (285.75mm)
G	Wheel Stud Qty./Thread Diameter	(10) M22 x 1.5
H	Hub Cap Hole Pattern	6 Holes 0.31 Dia. 4.50 Dia.Bolt Circle



### I. ABS Ring (See Options Available for Order Code)

Part Number: 51054  
Pitch Diameter: 6.46  
Cup Seat to Face Dimension: 1.53

### Brake Drum Information Drawing Reference

Assembly Drawing

Part No.	J Brake Drum Order Code Balanced	Special Information	K Brake Size		L Drum Overall Depth	M Drum Pilot Dia.	N Cup to End of Drum
			(1) Dia.	(2) Width			
65545B	RX	0.50 Back Plate Thickness	15.00	4.00	9.04	8.78	3.10
61951B	TM	0.50 Back Plate Thickness For 19.5" Tire Applications	15.00	4.00	9.46	8.78	3.52
69870B	WK	Centrifuse Drum	15.00	4.00	8.84	8.78	3.15
61950B	TL	0.50 Back Plate Thickness for 19.5" Tire Applications	15.00	6.00	9.84	8.78	3.90
65163B	GS	0.62 Back Plate Thickness	16.50	5.00	9.52	8.78	3.46
65179B	KR	0.50 Back Plate Thickness	16.50	6.00	9.84	8.78	3.90

### Wheel Fastener Information

Disc Wheel	Tire App.	Total Disc Wheel	Drum Type	Stud (RH)	Color	Flange Nut	Stud Stand Out	Order Code for Flange	
								With	Less
Steel	Single	.38 to .50	Cast	101164	Black	179933	2.08	2	1
Aluminum	Single	.84 to 1.00	Cast	101162	Black	179933	2.53	4	3
Steel/Alum	Single	.38 to 1.00	Centrifuse	101164	Black	179933	2.33	2	1

**WEBB WHEEL PRODUCTS, INC.**  
2310 Industrial Drive, S.W.  
Cullman, Alabama 35055  
256/739-6660  
FAX: 256/739-6246

OPTIONS AVAILABLE		
ORDER CODE	DESCRIPTION	PART NO.
T	ABS Ring	51054

