

No. 273

Date 12/16/94

Another addition to the expanding line of Webb products.

NEW PRODUCT BULLETIN

PART NUMBER: 2401

HUB

DESCRIPTION: 10 Stud 11.25 (285.75MM) BC
For Outboard Drum (Serrated Stud)

AVAILABLE
NOW

ESTIMATED WEIGHT: 52 Lbs.
(Hub Only)

APPLICATION INFORMATION
TRAILER AXLE

AXLE APPLICATION

WEBB AXLE GROUP #7
OUTER BEARING CUP 742
CONE 740
INNER BEARING CUP 752
CONE 759

AXLE MODELS
DANA SPICER K-30
INGERSOLL A-26
STANDARD FORGE A-25, A-26

PRODUCT INFORMATION

NOTE: REPLACES WEBB 1401 AND 1411 HUBS

"B"	"C"	"D"	"E"			"F"	"G"	"H"	"I"	"J"	"K"	"L"	
Distance Between Cups	Cup To Mfg. Face	Cup to End of Drum	Part No.	Brake Drum Order Code Standard	Brake Drum Order Code Balanced	Brake Size Dia.	Brake Width	Drum Overall Depth	Drum Pilot Dia.	Bolt Circle	Drum Bolt Qty. Dia.	Hub Cap Hole Pattern	Grease Hub Cap Kit
4.06	1.68	8.94	66884	UH	RH	16.50	7.00	10.62	8.78	11.25	10	6 Holes	Not Avail.
	1.68	8.94	66859	UA	PA	16.50	7.00	10.62	8.78	11.25	FOR STUD	0.317	Avail.
THE ABOVE DRUM USED ONLY FOR HEAVY DUTY BALL SEAT MOUNT APPLICATIONS.													
	1.68	10.71	66814	GV	DV	16.50	8.62	12.39	8.78	11.25	INFO	6.75 Dia.	
	1.68	11.51	66871	JM	DM	16.50	10.00	13.19	8.78	11.25	SEE REVERSE	BC	
	1.68	8.92	66664	LQ	PQ	18.00	7.00	10.60	8.78	11.25	SIDE		

WHEEL FASTENER INFORMATION For Use with Pilot Mounted Disc Wheels (M22 x 1.5 Stud)

1	Disc Wheel	2	Tire App.	3	Drum Make	4	Stud (RH)	5	Color	6	Flange Nut	7	Stud Stand Out	8	Order Code for Flange Nuts With	Less
	Steel		Dual		Cast		101162		Black		179933		2.47		4	3
	Aluminum		Dual		Cast		101160		Black		179933		3.32		6	5
	1-Steel/1-Alum		Dual		Cast		101160		Black		179933		3.32		6	5
	Steel		Single		Cast		101164		Black		179933		2.03		2	1
	Aluminum		Single		Cast		101162		Black		179933		2.47		4	3

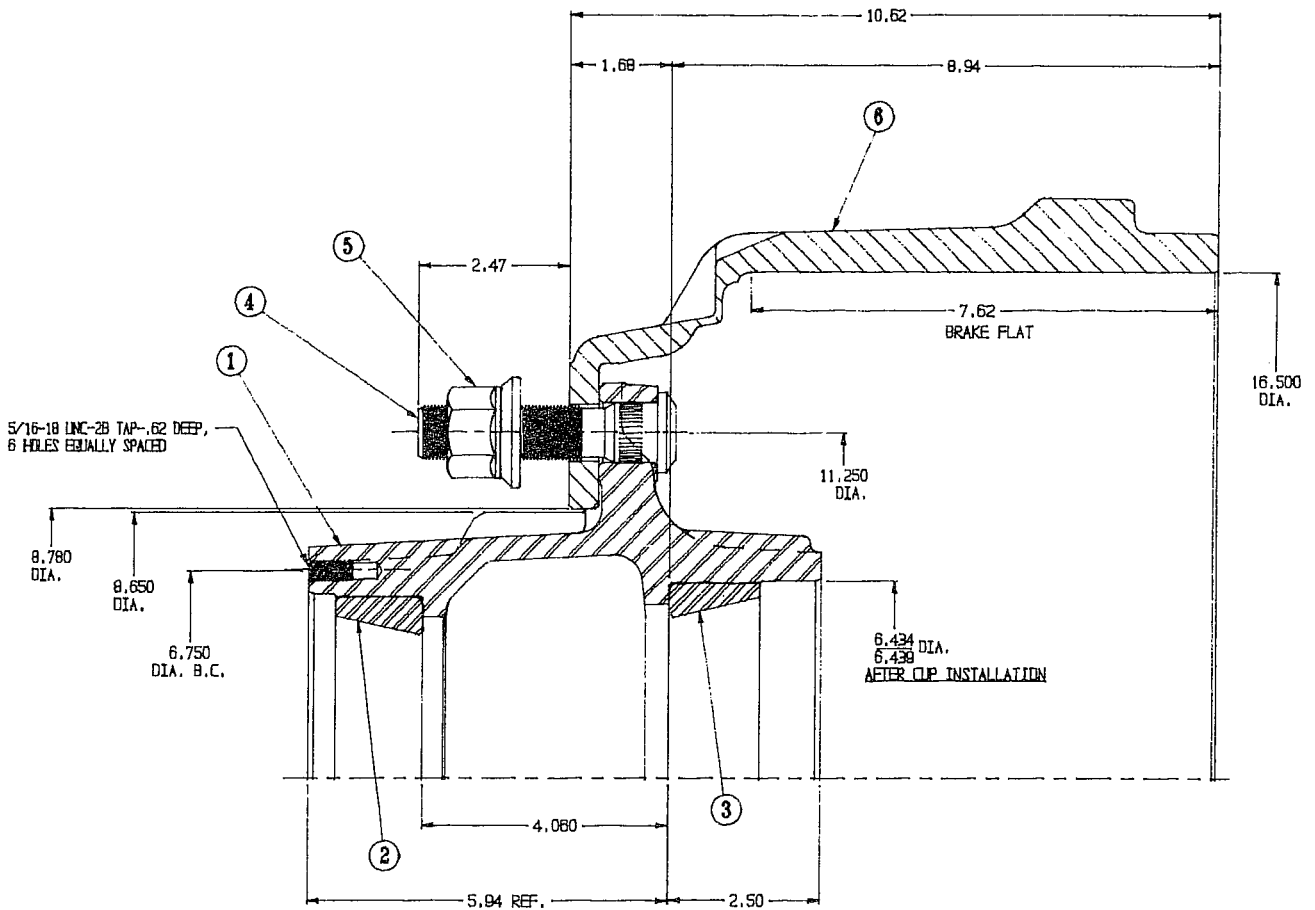
WHEEL FASTENER INFORMATION CONTINUED ON REVERSE SIDE

WHEEL FASTENER INFORMATION For Use with Ball Seat Mounted Disc Wheels (3/4" - 16 Stud)*

1 Disc Wheel	2 Tire App.	3 Drum Make	4 Stud (RH)	5 Color	6 Stud (LH)	7 Color	RH Capnuts		LH Capnuts		9 Stud Stand Out	10 Cap Nuts Order Code	
							Inner	Outer	Inner	Outer		With	Less
Steel	Dual	Cast	101172	Black	101173	Green	107082	178910	107083	178921	1.38	A	M
Aluminum	Dual	Cast	101172	Black	101173	Green	105988	178910	105989	178921	1.38	U	M
1-Steel/ 1-Alum	Dual	Cast	THIS DISC WHEEL COMBINATION NOT RECOMMENDED FOR USE WITH BALL SEAT MOUNT HUBS.										
For Longer Stud Standout — Note: A longer stud standout is not necessary when using Grade 8 inner cap nuts with aluminum disc-wheels													
Aluminum	Dual	Cast	101174	Silver	101176	Yellow	105988	178910	105989	178921	1.74	V	T
Steel	Single	Cast	101174	Silver	101175	Yellow		178736		178737	1.74	K	T
Aluminum	Single	Cast	101174	Silver	101175	Yellow		178736		178737	1.74	K	T

WHEEL FASTENER INFORMATION For Use with Ball Seat Mounted Disc Wheels (Heavy Duty 15/16" - 12 Stud)

1 Disc Wheel	2 Tire App.	3 Drum Make	4 Stud (RH)	5 Color	6 Stud (LH)	7 Color	RH Capnuts		LH Capnuts		9 Stud Stand Out	10 Cap Nuts Order Code	
							Inner	Outer	Inner	Outer		With	Less
Steel	Dual	Cast	188804	Black	188805	Green	Capnuts Not Available from Webb				1.72	NA	73



LIST OF COMPONENTS			
ITEM	PART #	DESCRIPTION	QTY.
1	2401F	HUB - 10 STUD	1
2	742	OUTER BEARING CLIP	1
3	752	INNER BEARING CLIP	1
4	101162	SERRATED STUD - M22 x 1.5 R.H. THD.	10
5	179933	FLANGE NUT - M22 x 1.5 R.H. THD.	10
6	66884F	BRAKE DRUM, 16.50 x 7.00	1

*DYNAMIC LOAD CAPACITY: 15,000 LBS. PER HUB WITH 3/4-16 BSN STUDS 12,500 LBS. PER HUB