

No. 150

Date 5/1/85

Another addition to the expanding line of Webb products.

NEW PRODUCT BULLETIN

PART NUMBER: 2528 HUB

**DESCRIPTION: 8 Stud Hub
(10.827 / 275mm Bolt Circle)**

AVAILABLE
AUGUST, 1985

ESTIMATED WEIGHT: 50 lbs.

APPLICATION INFORMATION
TRUCK STEERING AXLE

FEATURES:

- Designed for Pilot Mount Wheels
- Utilizes Two Piece Flange Nut System
- Because of Clamping Force Provided by Flange Nut System All Assemblies are Furnished for Right Hand Threaded Flange Nuts.
- Design of Hub Eliminates Need for Inner Cap Nuts, Allowing for Easier Service Due to Fewer Attaching Parts.
- Designed for Outboard Mount Brake Drums.
- Various Drum/Wheel Combinations Are Obtainable with Different Stud Lengths (See Assembly Print on Reverse Side).

WEBB AXLE GROUP #11

OUTER BEARING CUP 3720
 CONE 3782
 INNER BEARING CUP HM212011
 CONE HM212047 or
 HM212049

AXLE MODELS

EATON EFA-12F3, EFA-12F4, EFA-13F4
 ROCKWELL FF-931, FF-932, FF-941

"A" Hub Part No.	Desc.	"B"	"C"	"D"	"E"		"F"	"G"	"H"	"I"	"J"	"K"	"L"	Hub Cap Kit	Stud Stand Out
		Between Cups	Cup To Mtg Face	Cup To End of Drum	Brake Drum		Brake Size		Drum Over All Width	Pilot Dia.	Bolt Circle	Bolt Qty	Hub Cap Hole Pattern		
					Part No.	Order Code	Dia.	Width				Diagonal			
2528	8 Stud 10.827 BC OB Drum	3.38	5.94	3.10	65543B	RZ	15.00	4.00	9.04	9.00	10.827	8 22 MM	6HLS .31Ø 5.50Ø B.C.	73655	★

This Bulletin is Designed So That It Can Be Inserted Into Section 3 of Our Current Spoke Wheel and Hub Catalog TBTW384.

NOTE: Due to the Recent Development of This Style Hub There is No Interchange Information Available.

★ See Reverse Side for Sample Assembly Print Showing All Major Components and Stud Application Chart.

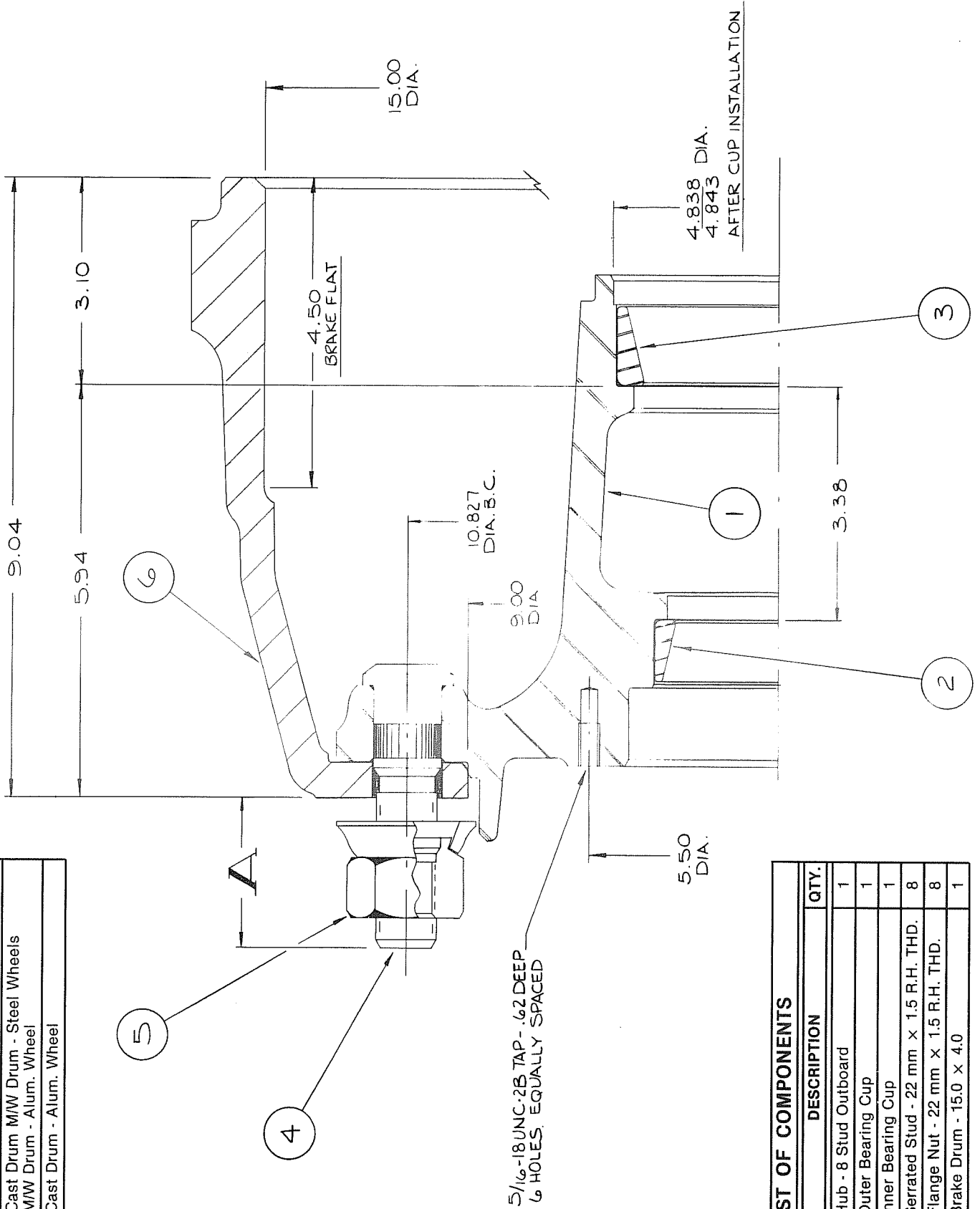
WEBB DIVISION

A division of Marmon Industries, Inc.
 2310 Industrial Drive, S.W.
 Cullman, Alabama 35055
 (205) 739-6660



A member of The Marmon Group of companies

STUD APPLICATION CHART		
PART NO.	A	DRUM/WHEEL COMBINATION
101164	2.21	Cast Drum M/W Drum - Steel Wheels
	2.46	M/W Drum - Alum. Wheel
101162	2.65	Cast Drum - Alum. Wheel



LIST OF COMPONENTS			
ITEM	PART NO.	DESCRIPTION	QTY.
1	2528	Hub - 8 Stud Outboard	1
2	3720	Outer Bearing Cup	1
3	HM212011	Inner Bearing Cup	1
4	See Chart	Serrated Stud - 22 mm x 1.5 R.H. THD.	8
5	179955	Flange Nut - 22 mm x 1.5 R.H. THD.	8
6	65543B	Brake Drum - 15.0 x 4.0	1