

No. 146

Date 4/24/85

*Another addition to the expanding line of Webb products.*

# NEW PRODUCT BULLETIN

PART NUMBER: **3452**

**SPOKE WHEEL**

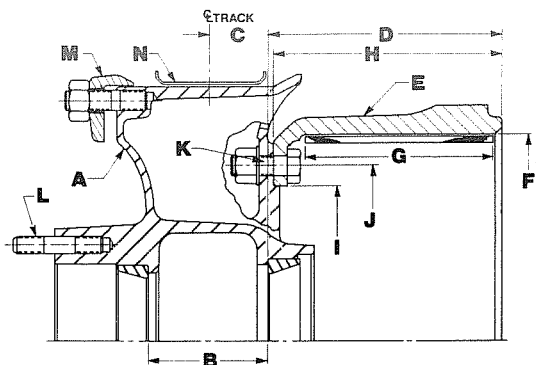
DESCRIPTION: **5 Spoke - 22 Inch**

AVAILABLE
LATE JUNE, 1985

ESTIMATED WEIGHT: **88 lbs.**  
(Wheel Only)

APPLICATION INFORMATION
TRUCK DRIVE AXLE

## PRODUCT INFORMATION



### WEBB AXLE GROUP

- Outer Bearing Cup 39520
  - Outer Bearing Cone 39590
  - Inner Bearing Cup 47620
  - Inner Bearing Cone 47686
- } Cup Code 1

### AXLE MODELS

- EATON 17, 34D, D340
- ROCKWELL L, SLHD

"A" Wheel Part No.	Desc.	"B"	"C"	"D"	"E"		"F"		"G"	"H"	"I"	"J"	"K" Bolt Qty. Dia.	"L" Drive Stud Pattern	"M" Rim Clamp	"N" Rim Size	Drum Bolt Kit
		Between Cups	Cup to Track	Cup to End of Drum	Brake Drum Part No.	Order Code	Brake Size Dia.	Width	Drum Over All Width	Pilot Dia.	Bolt Circle Dia.						
3452	5 Spoke 22"	4.62	2.25	8.52 8.52	63030B	CX	15.00	7.00	8.40	10.50	12.75	5 .75	12 STUDS .50Ø 5.25 B.C.	16123 16129 16124	4.00 3.62 3.38	90306	
					63031B	CY	16.50	7.00	8.40	10.50	12.75						

THIS BULLETIN IS DESIGNED SO THAT IT CAN BE INSERTED INTO SECTION 4 OF OUR CURRENT SPOKE WHEEL AND HUB CATALOG — TBTW384 (SEE REVERSE SIDE FOR INTERCHANGE INFORMATION)

### WEBB DIVISION

A division of Marmon Industries, Inc.  
2310 Industrial Drive, S.W.  
Cullman, Alabama 35055  
(205) 739-6660



A member of The Marmon Group of companies

# INTERCHANGE INFORMATION

Mfg. Part Number	Mfg. Size / No. of Spokes	Webb Part Number	Webb Size / No. of Spokes	Notes
<b>BROCKWAY TO WEBB</b>				
393548	22" 5 Spoke	3452	22" 5 Spoke	Drums Interchangeable
393957	22" 5 Spoke	3452	22" 5 Spoke	Drums Interchangeable
<b>DAYTON TO WEBB</b>				
01-09964	22" 5 Spoke	3452	22" 5 Spoke	Drums Interchangeable
<b>GUNITE TO WEBB</b>				
RB-714K	22" 5 Spoke	3452	22" 5 Spoke	Drums Interchangeable
<b>MACK TO WEBB</b>				
7QJ-39302-P2	22" 5 Spoke	3452	22" 5 Spoke	Drums Interchangeable
<b>WHITE TO WEBB</b>				
91102-5002	22" 5 Spoke	3452	22" 5 Spoke	Drums Interchangeable
91103-0015	22" 5 Spoke	3452	22" 5 Spoke	Drums Interchangeable

INTERCHANGE INFORMATION SHOWN IS BASED ON INFORMATION AVAILABLE AT TIME OF PUBLICATION, PORTIONS OF WHICH WERE OBTAINED FROM UNCONFIRMED SOURCES. THEREFORE ACCURACY OF INTERCHANGE INFORMATION CANNOT BE ASSURED.