

Another addition to the expanding line of Webb products.

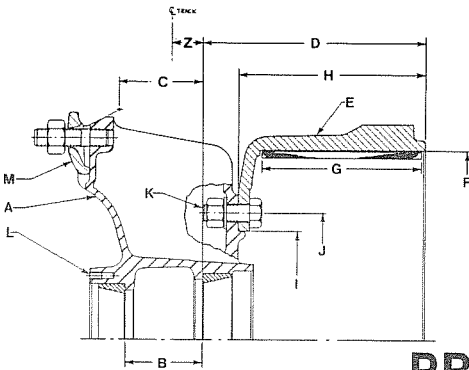
NEW PRODUCT BULLETIN

PART NUMBER: 7510
DESCRIPTION: 5 Spoke - 20 Inch
ESTIMATED WEIGHT: 73 Lbs.

SPOKE WHEEL

**AVAILABLE
AT ONCE**

**APPLICATION INFORMATION
TRAILER AXLE
SINGLE TIRE APPLICATIONS**



PRODUCT INFORMATION

RECOMMENDED RIM	Z (Dimension to ϕ Track From Inner Cup Seat)
22.5 x 8.25 — 4.40 Offset	1.02
22.5 x 12.25 — 4.00 Offset	1.42
20 x 7.50 — 4.26 Offset	1.12
*20 x 8.50 — 5.38 Offset	.26
22.5 x 9.00 — 5.00 Offset	.42

WEBB AXLE GROUP #2

Outer Bearing Cup HM212011
 Cone HM212049
 Inner Bearing Cup HM218210
 Cone HM218248

Cup Code 9

AXLE MODELS

DANA D-22, K-22
 EATON J, JE, JH, 23L, 23R, HJ, HJE, 25R, HR25
 KB KBW, KB5
 ROCKWELL RN, TKN, TN, TQ, RQ
 STANDARD FORGE A22

*USE 16185 RIM CLAMP WITH THIS RIM

"A" Wheel Part No.	Desc.	"B" Between Cups	"C" Cup to Rim Locator	"D" Cup to End of Drum	"E" Brake Drum		"F" Brake Size		"H" Drum Over All Width	"I" Pilot Dia	"J" Bolt Circle Dia.	"K" Bolt Qty. Dia.	"L" Hub Cap Hole Pattern	"M" Rim Clamp	"N" Rim Spacer Width	Grease Slinger Dirt Guard	Hub Cap Kit Drum Bolt Kit
					Part No.	Order Code	Dia.	Width									
7510	5 Spoke 20" Single Rim	3.34	3.64	9.64	61517	AD	15.00	7.00	8.12	9.44	11.00	5	6HLS 0.310 5.500 B.C.	16175 16185	8.0 Max Rim 8.5 Min Rim	73617 73647	73655 90305
				8.21	63423	CE	16.00	5.00	6.69								
				9.27	66684	FM	16.50	6.00	7.75								
				9.71	67518	GC	16.50	7.00	8.19								
				9.71	67598	GD ¹	16.50	7.00	8.19								
				9.65	67397	QA ²	16.50	7.00	8.13								
				11.52	68946	HV	16.50	8.62	10.00								
				12.58	63410	CF ³	16.50	10.00	11.06								

NOTES: 1. Extra Heavy Duty Brake Drum
 2. Centrifuse Brake Drum
 3. When ordering axles requiring 10.00 brakes, specify the wheel manufacturer and the part number to the axle manufacturer.

WEBB DIVISION

A division of Marmon Industries, Inc.
 2310 Industrial Drive, S.W.
 Cullman, Alabama 35055
 (205) 739-6660

